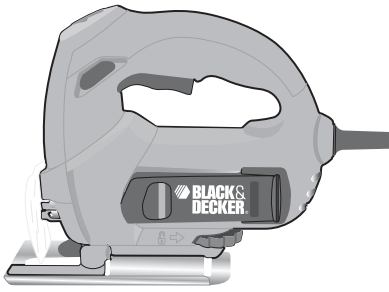




Variable Speed Jigsaws

INSTRUCTION MANUAL

Catalog Numbers JS500, JS510G, JS590TP, JS600, JS610G, JS4000



JS500, JS510G, JS590TP, JS4000



JS600, JS610G

THANK YOU FOR CHOOSING BLACK & DECKER!
GO TO WWW.BLACKANDDECKER.COM/NEWOWNER
TO REGISTER YOUR NEW PRODUCT.

**BEFORE RETURNING THIS PRODUCT
FOR ANY REASON PLEASE CALL
1-800-544-6986**

BEFORE YOU CALL, HAVE THE CATALOG No. AND DATE CODE AVAILABLE. IN MOST CASES, A
BLACK & DECKER REPRESENTATIVE CAN RESOLVE THE PROBLEM OVER THE PHONE. IF YOU HAVE A
SUGGESTION OR COMMENT, GIVE US A CALL. YOUR FEEDBACK IS VITAL TO BLACK & DECKER.

SAVE THIS MANUAL FOR FUTURE REFERENCE.

VEA EL ESPAÑOL EN LA CONTRAPORTADA.

INSTRUCTIVO DE OPERACIÓN, CENTROS DE SERVICIO Y PÓLIZA
DE GARANTÍA. **ADVERTENCIA:** LÉASE ESTE INSTRUCTIVO ANTES
DE USAR EL PRODUCTO.

CAT. NO. JS500, JS510G, JS590TP, JS600,
JS610G, JS4000

FORM NO. 490340-01 REV. 1

Copyright © 2008 Black & Decker

MAR. '08

Printed in China

General Power Tool Safety Warnings

⚠ WARNING! Read all safety warnings and instructions. Failure to follow the warnings and instructions may result in electric shock, fire and/or serious injury.

Save all warnings and instructions for future reference.

The term "power tool" in the warnings refers to your mains-operated (corded) power tool or battery-operated (cordless) power tool.

1) Work area safety

- a) Keep work area clean and well lit. *Cluttered or dark areas invite accidents.*
- b) Do not operate power tools in explosive atmospheres, such as in the presence of flammable liquids, gases or dust. *Power tools create sparks which may ignite the dust or fumes.*
- c) Keep children and bystanders away while operating a power tool. *Distractions can cause you to lose control.*

2) Electrical safety

- a) Power tool plugs must match the outlet. Never modify the plug in any way. Do not use any adapter plugs with earthed (grounded) power tools. *Unmodified plugs and matching outlets will reduce risk of electric shock.*
- b) Avoid body contact with earthed or grounded surfaces such as pipes, radiators, ranges and refrigerators. *There is an increased risk of electric shock if your body is earthed or grounded.*
- c) Do not expose power tools to rain or wet conditions. *Water entering a power tool will increase the risk of electric shock.*
- d) Do not abuse the cord. Never use the cord for carrying, pulling or unplugging the power tool. Keep cord away from heat, oil, sharp edges or moving parts. *Damaged or entangled cords increase the risk of electric shock.*
- e) When operating a power tool outdoors, use an extension cord suitable for outdoor use. *Use of a cord suitable for outdoor use reduces the risk of electric shock.*
- f) If operating a power tool in a damp location is unavoidable, use a residual current device (RCD) protected supply. *Use of an RCD reduces the risk of electric shock.*

3) Personal safety

- a) Stay alert, watch what you are doing and use common sense when operating a power tool. Do not use a power tool while you are tired or under the influence of drugs, alcohol or medication. *A moment of inattention while operating power tools may result in serious personal injury.*
- b) Use personal protective equipment. Always wear eye protection. *Protective equipment such as dust mask, non-skid safety shoes, hard hat, or hearing protection used for appropriate conditions will reduce personal injuries.*
- c) Prevent unintentional starting. Ensure the switch is in the off-position before connecting to power source and/or battery pack, picking up or carrying the tool. *Carrying power tools with your finger on the switch or energising power tools that have the switch on invites accidents.*
- d) Remove any adjusting key or wrench before turning the power tool on. *A wrench or a key left attached to a rotating part of the power tool may result in personal injury.*
- e) Do not overreach. Keep proper footing and balance at all times. *This enables better control of the power tool in unexpected situations.*
- f) Dress properly. Do not wear loose clothing or jewellery. Keep your hair, clothing and gloves away from moving parts. *Loose clothes, jewellery or long hair can be caught in moving parts.*
- g) If devices are provided for the connection of dust extraction and collection facilities, ensure these are connected and properly used. *Use of dust collection can reduce dust-related hazards.*

4) Power tool use and care

- a) Do not force the power tool. Use the correct power tool for your application. *The correct power tool will do the job better and safer at the rate for which it was designed.*
- b) Do not use the power tool if the switch does not turn it on and off. *Any power tool that cannot be controlled with the switch is dangerous and must be repaired.*
- c) Disconnect the plug from the power source and/or the battery pack from the power tool before making any adjustments, changing accessories, or storing

power tools. *Such preventive safety measures reduce the risk of starting the power tool accidentally.*

- d) Store idle power tools out of the reach of children and do not allow persons unfamiliar with the power tool or these instructions to operate the power tool. *Power tools are dangerous in the hands of untrained users.*
 - e) Maintain power tools. Check for misalignment or binding of moving parts, breakage of parts and any other condition that may affect the power tool's operation. If damaged, have the power tool repaired before use. *Many accidents are caused by poorly maintained power tools.*
 - f) Keep cutting tools sharp and clean. *Properly maintained cutting tools with sharp cutting edges are less likely to bind and are easier to control.*
 - g) Use the power tool, accessories and tool bits etc., in accordance with these instructions, taking into account the working conditions and the work to be performed. *Use of the power tool for operations different from those intended could result in a hazardous situation.*
- 5) Battery tool use and care
- a) Recharge only with the charger specified by the manufacturer. *A charger that is suitable for one type of battery pack may create a risk of fire when used with another battery pack.*
 - b) Use power tools only with specifically designated battery packs. Use of any other battery packs may create a risk of injury and fire.
 - c) When battery pack is not in use, keep it away from other metal objects like paper clips, coins, keys, nails, screws, or other small metal objects that can make a connection from one terminal to another. *Shorting the battery terminals together may cause burns or a fire.*
 - d) Under abusive conditions, liquid may be ejected from the battery, avoid contact. If contact accidentally occurs, flush with water. If liquid contacts eyes, additionally seek medical help. *Liquid ejected from the battery may cause irritation or burns.*
- 6) Service
- a) Have your power tool serviced by a qualified repair person using only identical replacement parts. *This will ensure that the safety of the power tool is maintained.*

SPECIFIC SAFETY RULES

- Hold power tools by insulated gripping surfaces when performing an operation where the cutting tool may contact hidden wiring or its own cord. Contact with a "live" wire will make exposed metal parts of the tool "live" and shock the operator.
- Use clamps or another practical way to secure and support the work piece to a stable platform. Holding the work by hand or against your body leaves it unstable and may lead to loss of control.
- Keep hands away from cutting area. Never reach underneath the material for any reason. Hold front of saw by grasping the contoured gripping area. Do not insert fingers or thumb into the vicinity of the reciprocating blade and blade clamp. Do not stabilize the saw by gripping the shoe.
- Keep blades sharp. Dull blades may cause the saw to swerve or stall under pressure.
- When cutting pipe or conduit ensure that they are free from water, electrical wiring, etc.
- Allow the motor to come to a complete stop before withdrawing the blade from the kerf (the slot created by cutting). A moving blade may impact the workpiece causing a broken blade, workpiece damage or loss of control and possible personal injury.
- Never hold work in your hand, lap or against parts of your body when sawing. The saw may slip and the blade could contact the body causing injury.
- Keep handles dry, clean, free from oil and grease. This will enable better control of the tool.
- Clean out your tool often, especially after heavy use. Dust and grit containing metal particles often accumulate on interior surfaces and could create an electric shock hazard.
- Do not operate this tool for long periods of time. Vibration caused by the operating action of this tool may cause permanent injury to fingers, hands, and arms. Use gloves to provide extra cushion, take frequent rest periods, and limit daily time of use.
- ⚠ **WARNING: Some dust created by power sanding, sawing, grinding, drilling, and other construction activities contains chemicals known to the State of California to cause cancer, birth defects or other reproductive harm. Some examples of these chemicals are:**
 - lead from lead-based paints,
 - crystalline silica from bricks and cement and other masonry products, and
 - arsenic and chromium from chemically-treated lumber.
Your risk from these exposures varies, depending on how often you do this type of work. To reduce your exposure to these chemicals: work in a well ventilated area, and work with approved safety equipment, such as those dust masks that are specially designed to filter out microscopic particles.
- Avoid prolonged contact with dust from power sanding, sawing, grinding, drilling, and other construction activities. Wear protective clothing and wash exposed areas with soap and water. Allowing dust to get into your mouth, eyes, or lay on the skin may promote absorption of harmful chemicals.
- ⚠ **WARNING: Use of this tool can generate and/or disperse dust, which may cause serious and permanent respiratory or other injury.** Always use NIOSH/OSHA approved respiratory protection appropriate for the dust exposure. Direct particles away from face and body.
- ⚠ **CAUTION: Wear appropriate hearing protection during use.** Under some conditions and duration of use, noise from this product may contribute to hearing loss.
- ⚠ **WARNING: ALWAYS use safety glasses. Everyday eye glasses are NOT safety glasses. Also use face or dust mask if cutting operation is dusty. ALWAYS WEAR CERTIFIED SAFETY EQUIPMENT:**
 - ANSI Z87.1 eye protection (CAN/CSA Z94.3)
 - ANSI S12.6 (S3.19) hearing protection
 - NIOSH/OSHA/MSHA respiratory protection

SAFETY GUIDELINES - DEFINITIONS

It is important for you to read and understand this manual. The information it contains relates to protecting YOUR SAFETY and PREVENTING PROBLEMS. The symbols below are used to help you recognize this information.

⚠ **DANGER:** Indicates an imminently hazardous situation which, if not avoided, will result in death or serious injury.

⚠ **WARNING:** Indicates a potentially hazardous situation which, if not avoided, could result in death or serious injury.

⚠ **CAUTION:** Indicates a potentially hazardous situation which, if not avoided, may result in minor or moderate injury.

CAUTION: Used without the safety alert symbol indicates a potentially hazardous situation which, if not avoided, may result in property damage.

Symbols

The label on your tool may include the following symbols.

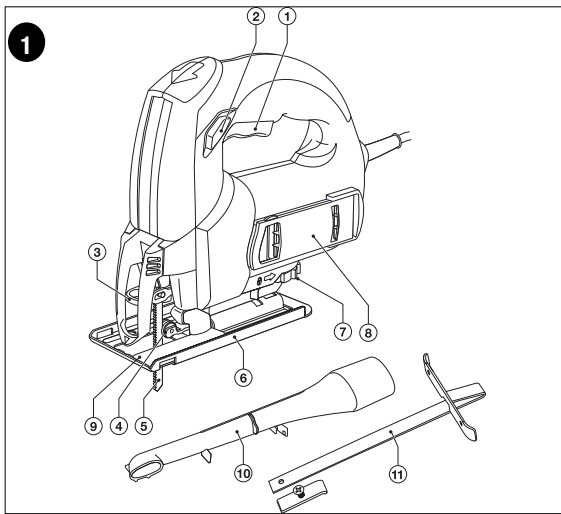
V	volts	A	amperes
Hz	hertz	W	watts
min	minutes	~	alternating current
====	direct current	n _o	no load speed
☐	Class II Construction	⊕	earthing terminal
⚠	safety alert symbol	.../min	revolutions or reciprocations per minute

First Aid Measures for Gel Components (JS510G, JS610G Only)

If gel within the comfort grip becomes exposed and results in skin contact wash with soap and water; for eye contact, flush with flowing water. If swallowed, seek medical attention. Material Safety Data Sheet (MSDS) available from 1-800-544-6986.

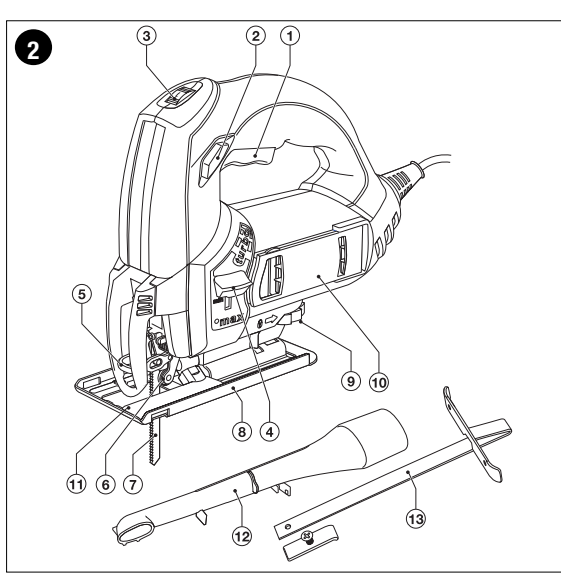
FUNCTIONAL DESCRIPTION- JS500, JS510G, JS590TP, JS4000

1. Variable speed switch
2. Lock-on button
3. Saw blade locking lever
4. Saw blade support roller
5. Saw blade
6. Shoe plate
7. Shoe plate locking knob
8. Saw blade storage compartment
9. Dust blower
10. Dust extraction adaptor (available on select models - check packaging for inclusion)
11. Rip fence (available on select models - check packaging for inclusion)

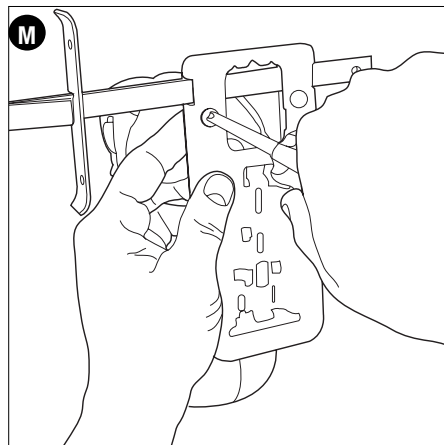
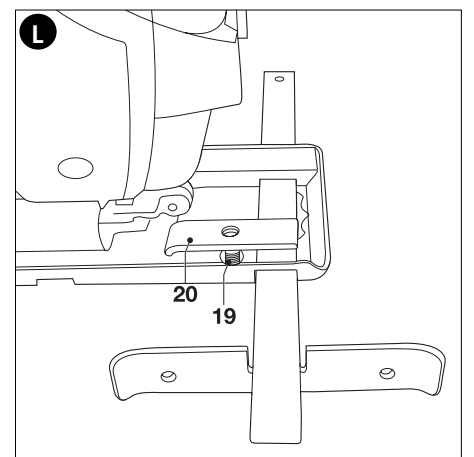
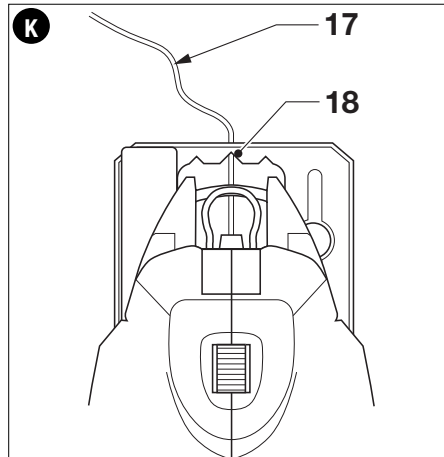
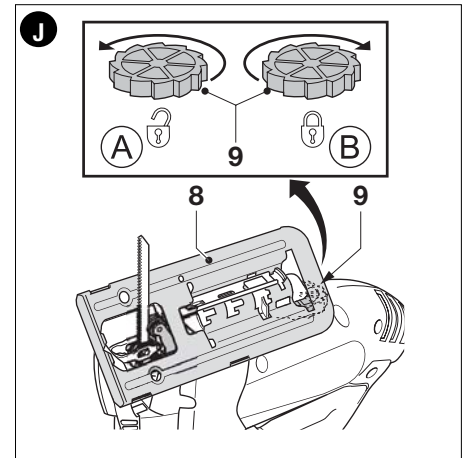
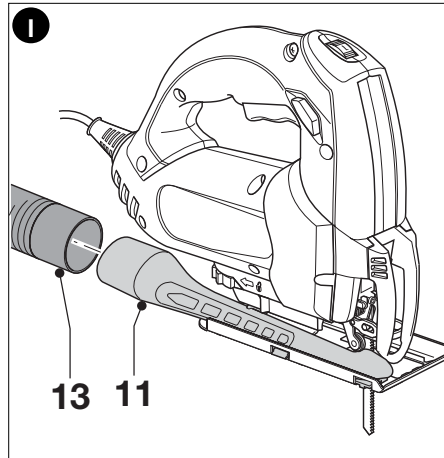
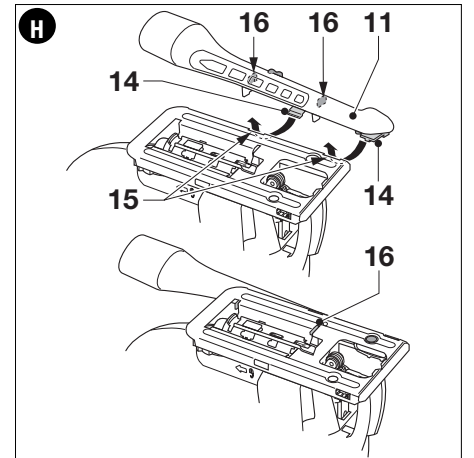
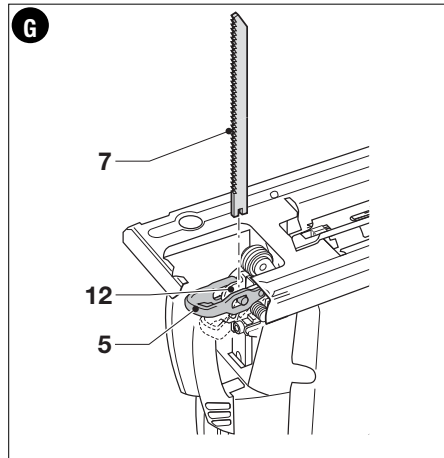


FUNCTIONAL DESCRIPTION - JS600, JS610G

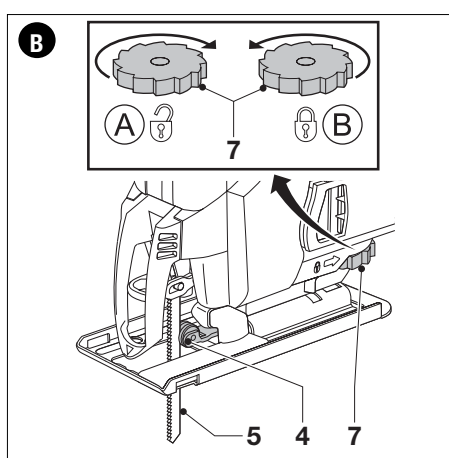
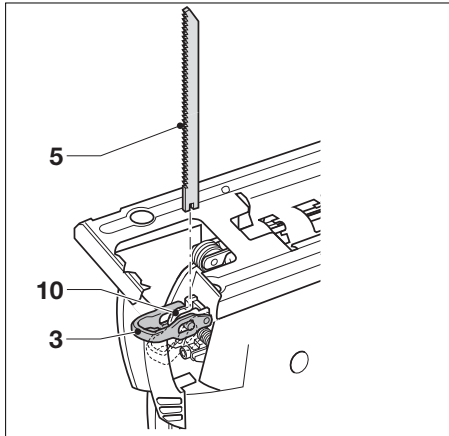
1. On/off switch
2. Lock-on button
3. Variable speed control knob
4. Orbital action "Turbo" selector
5. Saw blade locking lever
6. Saw blade support roller
7. Saw blade
8. Shoe plate
9. Shoe plate locking knob
10. Saw blade storage compartment
11. Dust blower
12. Dust extraction adaptor (available on select models - check packaging for inclusion)
13. Rip fence (available on select models - check packaging for inclusion)



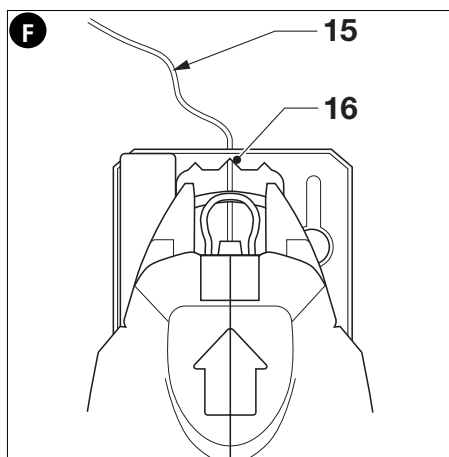
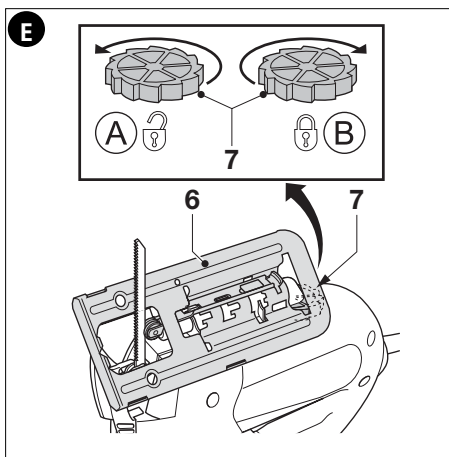
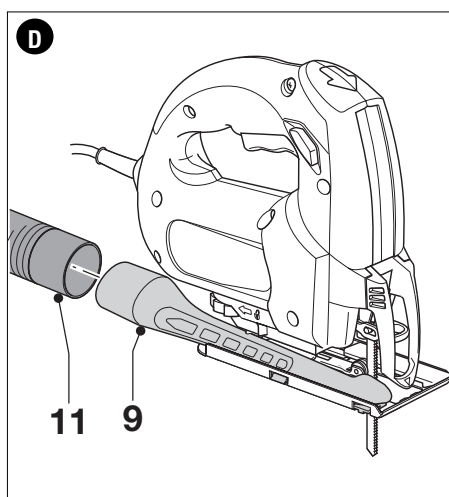
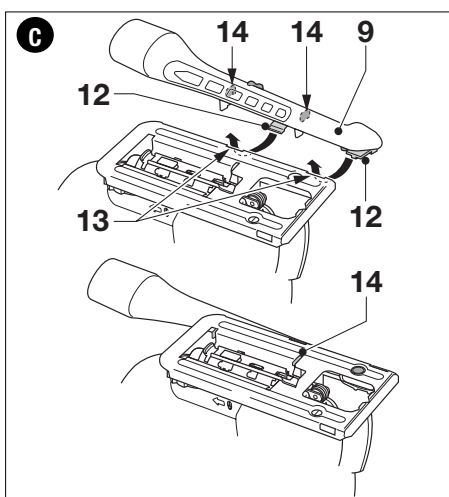
Illustrations G, H, I, J, K for Model JS600, JS610G



Illustrations A, B for Model JS500, JS510G, JS590TP, JS4000



Ills. C, D, E, F for Model JS500, JS510G, JS590TP, JS4000 - Cont.



USE OF EXTENSION CORDS

Make sure the extension cord is in good condition before using. Always use the proper size extension cords with the tool – that is, proper wire size for various lengths of cord and heavy enough to carry the current the tool will draw. Use of an undersized cord will cause a drop in line voltage resulting in loss of power and overheating. For proper size cords see chart below.

Volts	Minimum Gage for Cord Sets			
	Total Length of Cord in Feet			
120V	0-25	26-50	51-100	101-150
	(0-7,6m)	(7,6-15,2m)	(15,2-30,4m)	(30,4-45,7m)
240V	0-50	51-100	101-200	201-300
	(0-15,2m)	(15,2-30,4m)	(30,4-60,9m)	(60,9-91,4m)
Ampere Rating				
More Than		Not more Than		American Wire Gage
0	-	6	18	16 16 14
6	-	10	18	16 14 12
10	-	12	16	16 14 12
12	-	16	14	12 Not Recommended

MOTOR

Be sure your power supply agrees with nameplate marking. 120 Volts AC only means your tool will operate on standard 60 Hz household power. Do not operate AC tools on DC. A rating of 120 volts AC/DC means that you tool will operate on standard 60 Hz AC or DC power. This information is printed on the nameplate. Lower voltage will cause loss of power and can result in over-heating. All Black & Decker tools are factory-tested; if this tool does not operate, check the power supply.

SAVE THESE INSTRUCTIONS

ASSEMBLY - JS500, JS510G, JS590TP, JS4000

WARNING: Before attempting any of the following operations, make sure that the tool is switched off and unplugged and that the saw blade has stopped. Used saw blades can be hot.

Fitting the saw blade (fig. A)

- Hold the saw blade (5) as shown, with teeth facing forward.
- Push the lever (3) downwards.
- Insert the shank of the saw blade into the blade holder (10) as far as it will go.
- Release the lever.
- Adjust the blade support roller as described below.

Adjusting the blade support roller (fig. B)

- After fitting the blade, you need to adjust the blade support roller (4).
- Turn the locking knob (7) in direction A.

- Slide the blade support roller against the rear of the blade. The blade must locate in the central recess of the roller.

- Turn the locking knob (7) in direction **B** to lock the shoe plate in place.

Connecting a vacuum cleaner to the tool (fig. C & D)

- Align the dust extraction adaptor (9) with the saw shoe as shown.

- Insert the ribs (12) into the slots (13).

- Rotate the adaptor until it locks into position. Make sure that the ribs (14) are correctly seated.

- Connect the vacuum cleaner hose (11)(not supplied) to the adaptor.

Dust extraction is not possible when making bevel cuts.

USE

⚠WARNING: Never use the tool when the saw shoe is loose or removed.

Adjusting the shoe plate for bevel cuts (fig.E)

The shoe plate can be set to a left or right bevel angle of up to 45°.

- Turn the locking knob (7) in direction **A** to release the shoe plate (6).

- Pull the shoe plate (6) backwards and set it to the required angle. You can use the scale or a protractor to check the angle.

- Turn the locking knob (7) in direction **B** to lock the shoe plate in place.

To reset the shoe plate for straight cuts:

- Turn the locking knob (7) in direction **A** to release the shoe plate (6).

- Pull the shoe plate backwards and set it to an angle of approximately 0.

- Push the shoe plate forward.

- Turn the locking knob (7) in direction **B** to lock the shoe plate in place. Make sure that the shoe plate is supported by the guide ribs.

Switching On and Off

- To switch the tool on, press the variable speed switch (1). The tool speed depends on how far you depress the switch.

- For continuous operation, press the lock-on button (2) and release the variable speed switch. This option is available only at full speed.

- To switch the tool off, release the variable speed switch. To switch the tool off, when in continuous operation, press the variable speed switch once more and release it.

How to Use the Sightline® Feature (fig.F)

- Use a pencil to mark the cutting line.

- Position the jigsaw over the line (15).

Viewing from directly above the jigsaw the line of cut can be easily followed. Should this view be restricted for any reason, the indent (16) can be used as an alternate cutting guide.

ASSEMBLY - JS600, JS610G

⚠WARNING: Before attempting any of the following operations, make sure that the tool is switched off and unplugged and that the saw blade has stopped. Used saw blades can be hot.

Fitting the saw blade (fig. G)

- Hold the saw blade (7) as shown, with teeth facing forward.

- Push the lever (5) downwards.

- Insert the shank of the saw blade into the blade holder (12) as far as it will go.

- Release the lever.

Connecting a vacuum cleaner to the tool (fig. H & I)

- Align the dust extraction adaptor (11) with the saw shoe as shown.

- Insert the ribs (14) into the slots (15).

- Rotate the adaptor until it locks into position. Make sure that the ribs (16) are correctly seated.

- Connect the vacuum cleaner hose (13) (not supplied) to the adaptor.

Dust extraction is not possible when making bevel cuts.

USE

⚠WARNING: Never use the tool when the saw shoe is loose or removed.

Adjusting the shoe plate for bevel cuts (fig. J)

The shoe plate can be set to a left or right bevel angle of up to 45°.

- Turn the locking knob (9) in direction **A** to release the shoe plate (8).

- Pull the shoe plate (8) backwards and set it to the required angle. You can use the scale or a protractor to check the angle.

- Turn the locking knob (9) in direction **B** to lock the shoe plate in place.

To reset the shoe plate for straight cuts:

- Turn the locking knob (9) in direction **A** to release the shoe plate (8).

- Pull the shoe plate backwards and set it to an angle of approximately 0.

- Push the shoe plate forward.

- Turn the locking knob (9) in direction **B** to lock the shoe plate in place. Make sure that the shoe plate is supported by the guide ribs.

Variable Speed Control

- Set the variable speed control knob (3) to the required speed range. Use a high speed for wood, medium speed for aluminum and PVC and low speed for metals other than aluminum.

Orbital Action Turbo Selector

- For fast and efficient straight cuts in wood, set the turbo orbital action selector (4) to "max".

- For accurate straight and curve cutting and a smooth surface finish, set the turbo selector (4) to "min".

- The turbo orbital action selector (4) can also be set to the middle position between "max" and "min" for a moderate speed of cut and finish.

Note: Orbital Action not recommended when scrolling.

Switching On and Off

- To switch the tool on, press the on/off switch (1).

- For continuous operation, press the lock-on button (2) and release the on/off switch.

- To switch the tool off, release the on/off switch. To switch the tool off, when in continuous operation, press the on/off switch once more and release it.

How to Use the Sightline® Feature (fig.K)

- Use a pencil to mark the cutting line.

- Position the jigsaw over the line (17).

Viewing from directly above the jigsaw the line of cut can be easily followed. Should this view be restricted for any reason, the indent (18) can be used as an alternate cutting guide.

HINTS FOR OPTIMUM USE

General

- Use a high speed for wood, a medium speed for aluminum and PVC and a low speed for metals other than aluminum.

Sawing laminates

As the saw blade cuts on the upward stroke, splintering may occur on the surface closest to the shoe plate.

- Use a fine-tooth saw blade.

- Saw from the back surface of the workpiece.

- To minimize splintering, clamp a piece of scrap wood or hardboard to both sides of the workpiece and saw through this sandwich.

Sawing metal

- Be aware that sawing metal takes much more time than sawing wood.

- Use a saw blade suitable for sawing metal.

- When cutting thin metal, clamp a piece of scrap wood to the back surface of the workpiece and cut through this sandwich.

- Spread a film of oil along the intended line of cut.

⚠CAUTION: Do not use vacuum adapter when cutting metal. Metal filings will be hot and may cause a fire.

Rip Fence

Ripping and circle cutting without a pencil line are easily done with a rip fence and circle guide (available as standard equipment on some models or at extra cost).

Attaching Rip Fence (fig.L & M)

- Insert rip fence into slot on the right side of saw shoe as shown with cross bar facing down.

- Place screw (19) into hole in bottom of shoe.

- Align clamp bar (20) over screw with lipped edge facing down and pointing towards the rear of the saw.

- Using a phillips screwdriver, run the screw into the threaded hole in the bar clamp.

- Adjust to width of cut and tighten screw.

Circle Cutting

- Insert rip fence into slot on the right side of saw shoe with cross bar facing up.

- Adjust rip fence so that distance from blade to hole in cross bar is the desired radius and tighten screw.

- Place saw so that center of hole in cross bar is over center of circle to be cut (make pocket cut, drill hole for blade or cut inward from edge of material to get blade into position).

- When saw is properly positioned, drive a small nail through hole in cross bar into exact center of circle to be cut. Using rip fence as a pivot arm, begin cutting circle.

TROUBLESHOOTING

Problem

• Unit will not start.

Possible Cause

• Cord not plugged in.

• Circuit fuse is blown.

• Circuit breaker is tripped.

• Cord or switch is damaged.

Possible Solution

• Plug tool into a working outlet.

• Replace circuit fuse.
(If the product repeatedly causes the circuit fuse to blow, discontinue use immediately and have it serviced at a Black & Decker service center or authorized servicer.)

• Reset circuit breaker.
(If the product repeatedly causes the circuit breaker to trip, discontinue use immediately and have it serviced at a Black & Decker service center or authorized servicer.)

• Have cord or switch replaced at Black & Decker Service Center or Authorized Servicer

For assistance with your product, visit our website www.blackanddecker.com for the location of the service center nearest you or call the BLACK & DECKER help line at **1-800-544-6986**.

MAINTENANCE

Use only mild soap and damp cloth to clean the tool. Never let any liquid get inside the tool; never immerse any part of the tool into a liquid.

IMPORTANT: To assure product SAFETY and RELIABILITY, repairs, maintenance and adjustment should be performed by authorized service centers or other qualified service personnel, always using identical replacement parts.

ACCESSORIES

Recommended accessories for use with your tool are available from your local dealer or authorized service center. If you need assistance regarding accessories, please call:

1-800-544-6986.

⚠WARNING: The use of any accessory not recommended for use with this tool could be hazardous.

SERVICE INFORMATION

Black & Decker offers a full network of company-owned and authorized service locations throughout North America. All Black & Decker Service Centers are staffed with trained personnel to provide customers with efficient and reliable power tool service. Whether you need technical advice, repair, or genuine factory replacement parts, contact the Black & Decker location nearest you. To find your local service location, refer to the yellow page directory under "Tools—Electric" or call: **1-800-544-6986**.

FULL TWO-YEAR HOME USE WARRANTY

Black & Decker (U.S.) Inc. warrants this product for two years against any defects in material or workmanship. The defective product will be replaced or repaired at no charge in either of two ways.

The first, which will result in exchanges only, is to return the product to the retailer from whom it was purchased (provided that the store is a participating retailer). Returns should be made within the time period of the retailer's policy for exchanges (usually 30 to 90 days after the sale). Proof of purchase may be required. Please check with the retailer for their specific return policy regarding returns that are beyond the time set for exchanges.

The second option is to take or send the product (prepaid) to a Black & Decker owned or authorized Service Center for repair or replacement at our option. Proof of purchase may be required. Black & Decker owned and authorized Service Centers are listed under "Tools—Electric" in the yellow pages of the phone directory.

This warranty does not apply to accessories. This warranty gives you specific legal rights and you may have other rights which vary from state to state. Should you have any questions, contact the manager of your nearest Black & Decker Service Center. This product is not intended for commercial use.

Free warning label replacement: If your warning labels become illegible or are missing, call **1-800-544-6986** for a free replacement.

Black & Decker (U.S.)
Inc.,
701 E. Joppa Rd.
Towson, MD 21286
U.S.A.

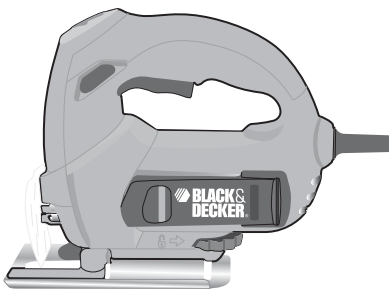


See 'Tools-
Electric'
– Yellow Pages –
for Service &
Sales



MODE D'EMPLOI

No de catalogue JS500, JS510G, JS590TP, JS600, JS610G, JS4000



JS500, JS510G, JS590TP, JS4000



JS600, JS610G

MERCI D'AVOIR CHOISI BLACK & DECKER !

VISITEZ WWW.BLACKANDDECKER.COM/NEWOWNER

POUR ENREGISTRER VOTRE NOUVEAU PRODUIT.

AVANT DE RETOURNER CE PRODUIT POUR QUELQUE RAISON QUE CE SOIT, COMPOSER LE

1-800-544-6986

AVANT D'APPELER, AYEZ EN MAIN LE N° DE CATALOGUE ET LE CODE DE DATE. DANS LA PLUPART DES

CAS, UN REPRÉSENTANT DE BLACK & DECKER PEUT RÉSOUDRE LE PROBLÈME PAR

TÉLÉPHONE. SI VOUS AVEZ UNE SUGGESTION OU UN COMMENTAIRE, APPELEZ-NOUS. VOS

IMPRESSIONS SONT CRUCIALES POUR BLACK & DECKER.

CONSERVER LE PRÉSENT GUIDE À TITRE DE RÉFÉRENCE

Avertissements de sécurité généraux pour les outils électriques

⚠ **AVERTISSEMENT!** Lire tous les avertissements de sécurité et toutes les directives. Le non-respect des avertissements et des directives pourrait se solder par un choc électrique, un incendie et/ou une blessure grave.

Conserver tous les avertissements et toutes les directives pour un usage ultérieur.

Le terme «outil électrique» cité dans les avertissements se rapporte à votre outil électrique à alimentation sur secteur (avec fil) ou par piles (sans fil).

1) Sécurité du lieu de travail

- Tenir la zone de travail propre et bien éclairée. Les endroits sombres sont souvent des causes d'accidents.
- Ne pas faire fonctionner d'outils électriques dans un milieu déflagrant, soit en présence de liquides inflammables, de gaz ou de poussière. Les outils électriques produisent des étincelles qui peuvent enflammer la poussière ou les vapeurs.
- Éloigner les enfants et les curieux au moment d'utiliser un outil électrique. Une distraction pourrait vous en faire perdre la maîtrise.

2) Sécurité en matière d'électricité

- Les fiches des outils électriques doivent correspondre à la prise. Ne jamais modifier la fiche en aucune façon. Ne jamais utiliser de fiche d'adaptation avec un outil électrique mis à la terre. Le risque de choc électrique sera réduit par l'utilisation de fiches non modifiées correspondant à la prise.
- Éviter tout contact physique avec des surfaces mises à la terre comme des tuyaux, des radiateurs, des cuisinières et des réfrigérateurs. Le risque de choc électrique est plus élevé si votre corps est mis à la terre.
- Ne pas exposer les outils électriques à la pluie ou à d'autres conditions où il pourrait être mouillé. La pénétration de l'eau dans un outil électrique augmente le risque de choc électrique.
- Ne pas utiliser abusivement le cordon d'alimentation. Ne jamais utiliser le cordon pour transporter, tirer ou débrancher un outil électrique. Tenir le cordon éloigné de la chaleur, de l'huile, des bords tranchants ou des pièces mobiles. Les cordons endommagés ou emmêlés augmentent les risques de choc électrique.
- Pour l'utilisation d'un outil électrique à l'extérieur, se servir d'une rallonge convenant à une telle utilisation. L'utilisation d'une rallonge conçue pour l'extérieur réduit les risques de choc électrique.
- S'il est impossible d'éviter l'utilisation d'un outil électrique dans un endroit humide, utiliser une source d'alimentation dotée d'un disjoncteur de fuite à la terre. L'utilisation de ce type de disjoncteur réduit les risques de choc électrique.

3) Sécurité personnelle

- Être vigilant, surveiller le travail effectué et faire preuve de jugement lorsqu'un outil électrique est utilisé. Ne pas utiliser d'outil électrique en cas de fatigue ou sous l'influence de drogues, d'alcool ou de médicaments. Un simple moment d'inattention en utilisant un outil électrique peut entraîner des blessures corporelles graves.
- Utiliser des équipements de protection individuelle. Toujours porter une protection oculaire. L'utilisation d'équipements de protection comme un masque antipoussière, des chaussures antidérapantes, un casque de sécurité ou des protecteurs auditifs lorsque la situation le requiert réduira les risques de blessures corporelles.
- Empêcher les démarrages intempestifs. S'assurer que l'interrupteur se trouve à la position d'arrêt avant de relier l'outil à une source d'alimentation et/ou d'insérer un bloc-piles, de ramasser ou de transporter l'outil. Transporter un outil électrique alors que le doigt repose sur l'interrupteur ou brancher un outil électrique dont l'interrupteur est à la position de marche risque de provoquer un accident.
- Retirer toute clé de réglage ou clé standard avant de démarrer l'outil. Une clé standard ou une clé de réglage attachée à une partie pivotante peut causer des blessures.
- Ne pas trop tendre les bras. Conserver son équilibre en tout temps. Cela permet de mieux maîtriser l'outil électrique dans les situations imprévues.
- S'habiller de manière appropriée. Ne pas porter de vêtements amples ni de bijoux. Garder les cheveux, les vêtements et les gants à l'écart des pièces mobiles. Les vêtements amples, les bijoux ou les cheveux longs risquent de rester coincés dans les pièces mobiles.
- Si des composants sont fournis pour le raccordement de dispositifs de dépoussiérage et de ramassage, s'assurer que ceux-ci sont bien raccordés et utilisés. L'utilisation d'un dispositif de dépoussiérage peut réduire les dangers engendrés par les poussières.

4) Utilisation et entretien d'un outil électrique

- Ne pas forcer un outil électrique. Utiliser l'outil électrique approprié à l'application. L'outil électrique approprié effectuera un meilleur travail, de façon plus sûre et à la vitesse pour laquelle il a été conçu.
- Ne pas utiliser un outil électrique dont l'interrupteur est défectueux. Tout outil électrique dont l'interrupteur est défectueux est dangereux et doit être réparé.
- Débrancher la fiche du secteur ou le bloc-piles de l'outil électrique avant de faire

tout réglage ou changement d'accessoire, ou avant de ranger l'outil électrique. Ces mesures préventives réduisent les risques de démarrage accidentel de l'outil électrique.

- Ranger les outils électriques hors de la portée des enfants, et ne permettre à aucune personne n'étant pas familière avec un outil électrique (ou son manuel d'instruction) d'utiliser ce dernier. Les outils électriques deviennent dangereux entre les mains d'utilisateurs inexpérimentés.
 - Entretenir les outils électriques. Vérifier les pièces mobiles pour s'assurer qu'elles sont bien alignées et tournent librement, qu'elles sont en bon état et ne sont affectées par aucun trouble susceptible de nuire au bon fonctionnement de l'outil électrique. En cas de dommage, faire réparer l'outil électrique avant toute nouvelle utilisation. Beaucoup d'accidents sont causés par des outils électriques mal entretenus.
 - S'assurer que les outils de coupe sont aiguisés et propres. Les outils de coupe bien entretenus et affûtés sont moins susceptibles de se coincer et sont plus faciles à contrôler.
 - Utiliser l'outil électrique, les accessoires, les forets, etc. conformément aux présentes directives en tenant compte des conditions de travail et du travail à effectuer. L'utilisation d'un outil électrique pour toute opération autre que celle pour laquelle il a été conçu est dangereuse.
- 5) Utilisation et entretien du bloc-piles
- Ne recharger l'outil qu'au moyen du chargeur précisé par le fabricant. L'utilisation d'un chargeur qui convient à un type de bloc-piles risque de provoquer un incendie s'il est utilisé avec un autre type de bloc-piles.
 - Utiliser les outils électriques uniquement avec les blocs-piles conçus à cet effet. L'utilisation de tout autre bloc-piles risque de causer des blessures ou un incendie.
 - Lorsque le bloc-piles n'est pas utilisé, le tenir éloigné des objets métalliques, notamment des trombones, de la monnaie, des clés, des clous, des vis, etc., qui peuvent établir une connexion entre les deux bornes. Le court-circuit des bornes du bloc-piles risque de provoquer des étincelles, des brûlures ou un incendie.
 - En cas d'utilisation abusive, le liquide peut gicler hors du bloc-piles, éviter tout contact. Si un contact accidentel se produit, laver à grande eau. Si le liquide entre en contact avec les yeux, obtenir des soins médicaux. Le liquide qui gicle hors du bloc-piles peut provoquer des irritations ou des brûlures.
- 6) Réparation
- Faire réparer l'outil électrique par un réparateur professionnel en n'utilisant que des pièces de rechange identiques. Cela permettra de maintenir une utilisation sécuritaire de l'outil électrique.

RÈGLES DE SÉCURITÉ SPÉCIFIQUES

- Saisir l'outil électrique par ses surfaces de prises isolées lorsque l'outil peut entrer en contact avec des fils cachés ou son cordon. En cas de contact avec un fil sous tension, les pièces métalliques de l'outil seront sous tension et l'utilisateur subira des secousses électriques.
 - Utiliser des brides de fixation ou un autre dispositif de fixation permettant de fixer solidement et de soutenir la pièce sur une plateforme stable. Tenir la pièce avec la main ou contre son corps la rend instable et risque de provoquer une perte de maîtrise de l'outil.
 - Tenir les mains éloignées de la zone de découpe. Ne jamais mettre la main sous le matériau pour quelque raison que ce soit. Tenir la partie avant de la scie par sa zone de prise profilée. Ne pas mettre les doigts ou le pouce à proximité de la scie alternative et du mécanisme de serrage de la lame. Ne pas stabiliser la scie en saisissant la semelle.
 - Maintenir les lames affûtées. Les lames émoussées peuvent faire zigzaguer la lame ou la bloquer sous la pression.
 - Au moment de couper un tuyau ou un conduit, s'assurer qu'ils sont exempts d'eau, de câblage électrique, etc.
 - Attendre l'immobilisation complète du moteur avant de retirer la lame du trait de scie (la rainure créée par la lame en coupant). En effet, une lame en mouvement risque de percuter la pièce et se briser, d'endommager la pièce ou de provoquer une perte de la maîtrise de l'outil, ce qui risquerait de provoquer des blessures corporelles.
 - Ne jamais tenir la pièce dans les mains, sur les genoux ou contre toute partie du corps en cours de découpe. La scie pourrait glisser et la lame pourrait atteindre le corps et provoquer des blessures.
 - Maintenir les poignées sèches, propres, exemptes d'huile et de graisse. Cela permet de mieux maîtriser l'outil.
 - Nettoyer l'outil régulièrement, particulièrement après une utilisation intensive. La poussière et les saletés contenant des particules métalliques s'accumulent souvent sur les surfaces internes de l'outil et pourraient créer un risque de choc électrique.
 - Ne pas faire fonctionner cet outil durant de longues périodes. Les vibrations causées par le fonctionnement de cet outil peuvent provoquer des blessures permanentes aux doigts, aux mains et aux bras. Utiliser des gants pour amortir davantage les vibrations, prendre de fréquentes périodes de repos et limiter la durée quotidienne d'utilisation.
- ⚠ **AVERTISSEMENT :** certains outils électriques, tels que les sableuses, les scies, les meules, les perceuses ou certains autres outils de construction, peuvent produire de la poussière contenant des produits chimiques reconnus par l'État de la Californie comme étant susceptibles d'entraîner le cancer, des malformations congénitales ou pouvant être nocifs pour le système reproductif. Parmi ces produits chimiques, on retrouve :
- le plomb dans les peintures à base de plomb,
 - la silice cristalline dans les briques et le ciment et autres produits de maçonnerie,
 - l'arsenic et le chrome dans le bois de sciage ayant subi un traitement chimique.
- Le risque associé à de telles expositions varie selon la fréquence avec laquelle on effectue ces travaux. Pour réduire l'exposition à de tels produits, il faut travailler dans un endroit bien aéré et utiliser le matériel de sécurité approprié, tel un masque anti-poussières spécialement conçu pour filtrer les particules microscopiques.
- Éviter tout contact prolongé avec la poussière soulevée par cet outil ou autres outils électriques. Porter des vêtements de protection et nettoyer les parties exposées du corps avec de l'eau savonneuse. S'assurer de bien se protéger afin d'éviter d'absorber par la bouche, les yeux ou la peau des produits chimiques nocifs.
- ⚠ **AVERTISSEMENT :** Cet outil peut produire et répandre de la poussière susceptible de causer des dommages sérieux et permanents au système respiratoire. Toujours utiliser un appareil respiratoire anti-poussières approuvé par le NIOSH ou l'OSHA. Diriger les particules dans le sens opposé du visage et du corps.
- ⚠ **MISE EN GARDE :** Porter les protecteurs auditifs appropriés durant l'utilisation de l'outil. Dans certaines conditions et selon la durée d'utilisation, le bruit engendré par ce produit peut contribuer à la perte de l'ouïe.
- ⚠ **AVERTISSEMENT :** TOUJOURS porter des lunettes de sécurité. Les lunettes de vue ne constituent PAS des lunettes de sécurité. Utiliser également un masque facial ou anti-poussière si l'opération de découpe génère de la poussière. TOUJOURS PORTER UN ÉQUIPEMENT DE PROTECTION HOMOLOGUÉ :
- protection oculaire conforme à la norme ANSI Z87.1 (CAN/CSA Z94.3);
 - protection auditive ANSI S12.6 (S3.19);
 - protection des voies respiratoires conformes aux normes NIOSH/OSHA/MSHA.

⚠ **AVERTISSEMENT :** Porter un dispositif de protection personnel anti-bruit approprié durant l'utilisation. Sous certaines conditions et pendant toute la durée de l'utilisation, le bruit émanant de ce produit pourrait contribuer à la perte d'audition.

LIGNES DIRECTRICES EN MATIÈRE DE SÉCURITÉ - DÉFINITIONS

Il est important que vous lisiez et compreniez ce mode d'emploi. Les informations qu'il contient concernent VOTRE SÉCURITÉ et visent à ÉVITER TOUT PROBLÈME. Les symboles ci-dessous servent à vous aider à reconnaître cette information.

⚠ **DANGER :** Indique une situation dangereuse imminente qui, si elle n'est pas évitée, causera la mort ou des graves blessures.

⚠ **AVERTISSEMENT :** Indique une situation potentiellement dangereuse qui, si elle n'est pas évitée, pourrait causer la mort ou de graves blessures.

⚠ **MISE EN GARDE :** Indique une situation potentiellement dangereuse qui, si elle n'est pas évitée, pourrait causer des blessures mineures ou modérées.

MISE EN GARDE : Utilisé sans le symbole d'alerte à la sécurité, indique une situation potentiellement dangereuse qui, si elle n'est pas évitée, peut résulter en des dommages à la propriété.

Symboles

L'étiquette de l'outil peut comporter les symboles suivants.

V	volts	A.....	ampères
Hz	hertz	W	watts
min.....	minutes	~	courant alternatif
====	courant continu	n ₀	sous vide
☐	construction de classe II	⊕	borne de terre
⚠	symbole d'avertissement	.../min	tours ou courses à la minute

Premiers soins relatifs à la composition du gel (JS510G, JS610G)

Si le gel à l'intérieur de la poignée ergonomique venait à se répandre et entrer en contact avec la peau, laver cette dernière à l'eau savonneuse.

En cas de contact avec les yeux, rincer abondamment à l'eau claire. En cas d'ingestion, voir un médecin.

Pour obtenir la fiche toxicologique de ce produit (MSDS), téléphoner au **1-800-544-6986**.

Description fonctionnelle du modèle JS500, JS510G, JS590TP, JS4000

1. Interrupteur à vitesse variable
2. Bouton de verrouillage en position de marche
3. Levier de verrouillage de la lame de scie
4. Galet de support de la lame de scie
5. Lame de scie
6. Plaque du patin
7. Bouton de verrouillage de la plaque du patin
8. Compartiment de rangement de la lame
9. Chasse-sciure
10. Adaptateur du tube d'aspiration (disponible uniquement sur certains modèles - vérifiez l'emballage)
11. Guide longitudinal (disponible uniquement sur certains modèles - vérifiez l'emballage)

Description fonctionnelle du modèle JS600 et JS610G

1. Interrupteur de marche-arrêt
2. Bouton de verrouillage en position de marche
3. Bouton de réglage de la vitesse variable
4. Sélecteur turbo de mouvement orbital
5. Levier de verrouillage de la lame de scie
6. Galet de support de la lame de scie
7. Lame de scie
8. Plaque du patin
9. Bouton de verrouillage de la plaque du patin
10. Compartiment de rangement de la lame
11. Chasse-sciure
12. Adaptateur du tube d'aspiration (disponible uniquement sur certains modèles - vérifiez l'emballage)
13. Guide longitudinal (disponible uniquement sur certains modèles - vérifiez l'emballage)

RALLONGES

S'assurer que la rallonge est en bon état avant de l'utiliser. Toujours utiliser une rallonge qui convient à l'outil, c'est-à-dire dont le calibre des fils, la longueur du cordon et les valeurs nominales correspondent à l'outil alimenté. L'usage d'une rallonge de calibre insuffisant pourrait causer une chute de tension entraînant une perte de puissance et une surchauffe. Pour s'assurer qu'on utilise le calibre approprié, consulter le tableau indiqué ci-dessous.

Calibre minimal des cordons de rallonge					
Tension	Longueur totale du cordon en pieds				
120V	0-25	26-50	51-100	101-150	
	(0-7,6m)	(7,6-15,2m)	(15,2-30,4m)	(30,4-45,7m)	
240V	0-50	51-100	101-200	201-300	
	(0-15,2m)	(15,2-30,4m)	(30,4-60,9m)	(60,9-91,4m)	
Intensité (A)					
Au moins	Au plus	Calibre moyen des fils (AWG)			
0	- 6	18	16	16	14
6	- 10	18	16	14	12
10	- 12	16	16	14	12
12	- 16	14	12	Non recommandé	

MOTEUR

S'assurer que l'intensité nominale du cordon d'alimentation corresponde à celle indiquée sur la plaque signalétique; sur cette dernière, la mention «120 V c.a.» signifie que l'outil ne doit être branché que dans une prise résidentielle standard de courant alternatif de 60 Hz et non pas dans une prise de courant continu, alors que «120 V c.a. / c.c.» signifie que l'outil peut fonctionner sur une prise standard de 60 Hz de courant alternatif ou continu. Une tension inférieure à celle indiquée pourrait entraîner une perte de puissance et une surchauffe. Tous les outils Black & Decker sont soumis à des essais en usine; si cet outil ne fonctionne pas, on doit d'abord vérifier l'intensité nominale du cordon d'alimentation.

CONSERVER CES DIRECTIVES

ASSEMBLAGE – MODÈLE JS500, JS510G, JS590TP, JS4000

⚠AVERTISSEMENT : Avant d'effectuer une des opérations suivantes, s'assurer que l'outil est mis hors tension et débranché et que la lame est complètement immobilisée. Les lames usées peuvent être chaudes.

Installation de la lame (fig. A)

- Tenir la lame (5) tel qu'illustré, en s'assurant que les dents sont dirigées vers l'avant.
- Pousser le levier (3) vers le bas.
- Insérer la tige de la lame de scie dans le porte-lame (10), aussi loin que possible.
- Relâcher le levier.
- Régler le galet de support de la lame (voir l'article ci-dessous).

Réglage du galet de support de la lame (fig. B)

- Une fois la lame installée, on doit régler le galet de support de la lame (4).
- Tourner le bouton de verrouillage (7) vers la direction **A**.
 - Glisser le galet de support de la lame contre la partie arrière de la lame, de manière à ce que celle-ci repose dans la section creuse au centre du galet.
 - Tourner le bouton de verrouillage (7) vers la direction **B** afin de verrouiller solidement la plaque du patin.

Installation d'un aspirateur sur l'outil (fig. C et D)

- Aligner l'adaptateur du tube d'aspiration (9) avec le patin de la scie, tel qu'illustré.
 - Introduire les nervures (12) dans les fentes (13).
 - Tourner l'adaptateur jusqu'à ce qu'il soit bien enclenché, en s'assurant que les nervures (14) sont bien en place.
 - Raccorder le tube d'aspiration (11) (non fourni) à l'adaptateur.
- Le système de dépoussiérage ne fonctionne pas lorsqu'on effectue des coupes en biseau.

UTILISATION

⚠AVERTISSEMENT : Ne jamais utiliser l'outil lorsque le patin est lâche ou retiré.

Réglage de la plaque du patin en vue de réaliser une coupe en biseau (fig. E)

La plaque du patin peut être réglée pour une coupe en biseau à gauche ou à droite allant jusqu'à 45°.

- Tourner le bouton de verrouillage (7) vers la direction **A** afin de relâcher la plaque du patin (6).
- Tirer la plaque du patin (6) vers l'arrière et la régler à l'angle voulu. Vérifier l'angle au moyen de l'échelle ou d'un rapporteur d'angle.
- Tourner le bouton de verrouillage (7) vers la direction **B** afin de verrouiller solidement la plaque du patin.

Pour remettre la plaque du patin dans sa position initiale en vue de réaliser une coupe droite :

- Tourner le bouton de verrouillage (7) vers la direction **A** afin de relâcher la plaque du patin (6).

-Tirer la plaque du patin vers l'arrière et la régler à un angle d'environ 0 °.

- Pousser la plaque du patin vers l'avant.
- Tourner le bouton de verrouillage (7) vers la direction **B** afin de verrouiller solidement la plaque du patin, en s'assurant qu'elle est bien soutenue par les nervures de guidage.

Mise en marche et arrêt de l'outil

- Pour mettre l'outil en marche, enfoncer l'interrupteur de marche-arrêt (1). La vitesse varie selon la pression qu'on exerce sur l'interrupteur.
- Pour un fonctionnement continu, enfoncer le bouton de verrouillage en position de marche (2) et relâcher l'interrupteur à vitesse variable. Cette option n'est possible qu'en vitesse maximale.
- Pour arrêter l'outil, relâcher l'interrupteur à vitesse variable. Pour arrêter l'outil en mode de fonctionnement continu, appuyer de nouveau sur l'interrupteur à vitesse variable, puis le relâcher.

Utilisation du dispositif Sightline® (fig. F)

- Marquer la ligne de coupe au moyen d'un crayon.
- Positionner la scie sur la ligne de coupe (15).
- Vue directement du haut de la scie, la ligne de coupe est facile à suivre. Si celle-ci n'est pas bien visible, pour quelque raison que ce soit, on peut utiliser l'encoche (16) comme guide de coupe, le cas échéant.

ASSEMBLAGE – MODÈLE JS600 et JS610G SEULEMENT

⚠AVERTISSEMENT : Avant d'effectuer une des opérations suivantes, s'assurer que l'outil est mis hors tension et débranché et que la lame est complètement immobilisée.

Installation de la lame (fig. G)

- Tenir la lame (7) tel qu'illustré, en s'assurant que les dents sont dirigées vers l'avant.
- Pousser le levier (5) vers le bas.
- Insérer la tige de la lame de scie dans le porte-lame (12), aussi loin que possible.
- Relâcher le levier.

Installation d'un aspirateur sur l'outil (fig. H et I)

- Aligner l'adaptateur du tube d'aspiration (11) avec le patin de la scie, tel qu'illustré.
 - Introduire les nervures (14) dans les fentes (15).
 - Tourner l'adaptateur jusqu'à ce qu'il soit bien enclenché, en s'assurant que les nervures (16) sont bien en place.
 - Raccorder le tube d'aspiration (13) (non fourni) à l'adaptateur.
- Le système de dépoussiérage ne fonctionne pas lorsqu'on effectue des coupes en biseau.

UTILISATION

⚠AVERTISSEMENT : Ne jamais utiliser l'outil lorsque le patin est lâche ou retiré.

Réglage de la plaque du patin en vue de réaliser une coupe en biseau (fig. J)

La plaque du patin peut être réglée pour une coupe en biseau à gauche ou à droite allant jusqu'à 45°.

- Tourner le bouton de verrouillage (9) vers la direction **A** afin de relâcher la plaque du patin (8).
- Tirer la plaque du patin (8) vers l'arrière et la régler à l'angle voulu. Vérifier l'angle au moyen de l'échelle ou d'un rapporteur d'angle.
- Tourner le bouton de verrouillage (9) vers la direction **B** afin de verrouiller solidement la plaque du patin.

Pour remettre la plaque du patin dans sa position initiale en vue de réaliser une coupe droite :

- Tourner le bouton de verrouillage (9) vers la direction **A** afin de relâcher la plaque du patin (8).
- Tirer la plaque du patin vers l'arrière et la régler à un angle d'environ 0 °.
- Pousser la plaque du patin vers l'avant.
- Tourner le bouton de verrouillage (9) vers la direction **B** afin de verrouiller solidement la plaque du patin, en s'assurant que la plaque est bien soutenue par les nervures de guidage.

Bouton de réglage de la vitesse variable

- Régler le bouton de réglage de la vitesse variable (3) à la plage de vitesse requise. Utiliser la vitesse élevée pour le bois, la vitesse moyenne pour l'aluminium et le PVC et la basse vitesse pour les métaux, sauf l'aluminium.

Sélecteur turbo de mouvement orbital

- Pour effectuer rapidement et efficacement une coupe droite dans du bois, régler le sélecteur (4) à la position maximale.
- Pour assurer la précision d'une coupe droite ou courbée et obtenir un fini lisse, régler le sélecteur (4) à la position minimale.
- On peut aussi régler le sélecteur (4) à la position centrale (entre les positions maximale et minimale) pour obtenir une vitesse de coupe et de finition modérée.

Remarque : le mouvement orbital n'est pas recommandé lorsqu'on effectue une coupe courbée.

Mise en marche et arrêt de l'outil

- Pour mettre l'outil en marche, enfoncer l'interrupteur de marche-arrêt (1).
- Pour un fonctionnement continu, enfoncer le bouton de verrouillage en position de marche (2) et relâcher l'interrupteur de marche-arrêt.
- Pour arrêter l'outil, relâcher l'interrupteur de marche-arrêt. Pour arrêter l'outil en mode de fonctionnement continu, appuyer de nouveau sur l'interrupteur de marche-arrêt, puis le relâcher.

Utilisation du dispositif Sightline® (fig. K)

- Marquer la ligne de coupe au moyen d'un crayon.
- Positionner la scie sur la ligne de coupe (17).
- Vue directement du haut de la scie, la ligne de coupe est facile à suivre. Si celle-ci n'est pas bien visible, pour quelque raison que ce soit, on peut utiliser l'encoche (18) comme guide de coupe, le cas échéant.

CONSEILS PRATIQUES POUR UN USAGE OPTIMAL

Généralités

- Utiliser la vitesse élevée pour le bois, la vitesse moyenne pour l'aluminium et le PVC et la basse vitesse pour les métaux, sauf l'aluminium.

Coupe de lamellés

- Lorsqu'on remonte la scie, on peut engendrer des éclats de bois sur la surface la plus près de la plaque du patin.
- Utiliser une lame à dents fines.
- Effectuer la coupe à partir de la surface arrière de la pièce.
- Afin de réduire au minimum les éclats de bois, fixer une retaille de bois ou un panneau dur de chaque côté de la pièce et couper à travers les trois pièces.

Coupe du métal

- Il ne faut pas oublier que la durée de coupe du métal est beaucoup plus longue que celle du bois.
- Utiliser une lame conçue pour la coupe du métal.
- Pour réaliser la coupe d'une tôle mince, fixer une retaille de bois à l'arrière de la pièce et couper à travers les deux pièces.
- Appliquer une mince couche d'huile le long de la ligne de coupe prévue.

⚠MISE EN GARDE : **Ne pas utiliser l'adaptateur du tube d'aspiration pour couper le métal**; les débris métalliques sont chauds et peuvent causer un incendie.

Guide longitudinal

Le guide longitudinal et le guide circulaire (compris sur certains modèles comme équipement standard ou moyennant des frais supplémentaires) permettent de réaliser facilement un sciage rapide ou une coupe circulaire sans trait tiré au crayon.

Fixation du guide longitudinal (fig. L et M)

- Insérer le guide longitudinal dans la fente située sur le côté droit du sabot de la scie comme il est indiqué avec la traverse posée vers le bas.
- Entraîner la vis (19) dans l'orifice situé au fond du sabot.
- Aligner la barre de serrage (20) au-dessus de la vis de manière à ce que le bord en saillie soit vers le bas et pointe vers l'arrière de la scie.
- Au moyen d'un tournevis cruciforme, entraîner la vis dans l'orifice fileté situé dans la serre à barre.
- Régler à la largeur de la coupe, puis serrer la vis.

Coupe circulaire

- Insérer le guide longitudinal dans la fente située sur le côté droit du sabot de la scie comme il est indiqué avec la traverse posée vers le haut.
- Régler le guide longitudinal de manière à ce que la distance séparant la lame de l'orifice situé dans la barre de serrage corresponde au rayon recherché, puis serrer la vis.
- Poser la vis de façon à ce que le centre de l'orifice de la traverse se trouve au-dessus du centre du cercle à couper (effectuer une coupe de poche, percer un trou pour la lame ou couper vers l'intérieur à partir du bord du matériau pour mettre en place la lame).
- Une fois la lame bien placée, entraîner un petit clou dans l'orifice de la traverse, au centre exact du cercle à couper. Couper le cercle au moyen du guide longitudinal utilisé comme bras pivotant.

Problème

- L'appareil refuse de démarrer.

DÉPANNAGE

Cause possible

- Cordon d'alimentation non branché.
- Le fusible du circuit est grillé.

Solution possible

- Brancher l'outil dans une prise qui fonctionne.
- Remplacer le fusible du circuit. (Si le produit fait griller de façon répétée le fusible du circuit, arrêter immédiatement d'utiliser le produit et le faire réparer dans un centre de réparation Black & Decker ou un centre de réparation autorisé.)
- Remettre le disjoncteur à zéro. (Si le produit fait déclencher de façon répétée le disjoncteur, arrêter immédiatement d'utiliser le produit et le faire réparer dans un centre de réparation Black & Decker ou un centre de réparation autorisé.)
- Faire remplacer le cordon ou l'interrupteur au centre de réparation Black & Decker ou à un centre de réparation autorisé.

- Le disjoncteur est déclenché.

- Le cordon d'alimentation ou la prise de courant est endommagé(e).

Pour obtenir de l'aide avec l'outil, consulter notre site Web www.blackanddecker.com pour l'emplacement du centre de réparation le plus près ou communiquer avec l'assistance **BLACK & DECKER** au **1-800-544-6986**.

ENTRETIEN

Nettoyer l'outil au moyen d'un savon doux et d'un linge humide seulement. Ne jamais laisser de liquide s'infiltrer à l'intérieur de l'outil ni tremper ce dernier dans un liquide quelconque.

IMPORTANT : pour assurer la SÉCURITÉ et la FIABILITÉ de ce produit, toutes les opérations de réparation, d'entretien et de réglage doivent être effectuées dans un centre de service autorisé ou par du personnel qualifié; on ne doit utiliser que des pièces de rechange identiques.

ACCESSOIRES

Les accessoires recommandés pour l'outil sont vendus chez les dépositaires locaux ou dans les centres de service autorisés. Pour obtenir de l'aide concernant un accessoire, composer le **1 800 544-6986**.

⚠ **AVERTISSEMENT** : l'usage d'un accessoire non recommandé peut présenter un danger.

INFORMATION SUR LES SERVICES

Black & Decker dispose d'un réseau complet composé de centres de service et de centres autorisés situés partout en Amérique du Nord. Tous les centres de service Black & Decker sont dotés de personnel qualifié en matière d'outillage électrique; ils sont donc en mesure d'offrir à leur clientèle un service efficace et fiable. Pour obtenir un conseil technique ou une pièce d'origine ou pour faire réparer un outil, on peut communiquer avec le centre Black & Decker le plus près. Pour obtenir le numéro de téléphone, consulter les pages jaunes sous la rubrique «Outils - électriques» ou composer le **1 800 544-6986**.

GARANTIE COMPLÈTE DE DEUX ANS POUR USAGE RÉSIDENTIEL

Black & Decker (U.S.) Inc. garantit ce produit pour une période de deux ans contre tout défaut de matériel ou de fabrication. Le produit défectueux sera remplacé ou réparé sans frais, suivant l'une des deux méthodes suivantes.

La première méthode consiste en un échange seulement. On doit retourner le produit au détaillant qui l'a vendu (pourvu qu'il s'agisse d'un détaillant participant), en respectant les délais stipulés dans sa politique relative aux échanges (normalement de 30 à 90 jours après la vente). Une preuve d'achat peut être requise. On doit vérifier la politique de retour du détaillant pour tout produit retourné après le délai prescrit pour les échanges.

La deuxième méthode consiste à apporter ou à envoyer le produit (prépayé) à un centre Black & Decker ou à un centre de service autorisé aux fins de réparation ou de remplacement, selon notre choix. Une preuve d'achat peut être requise. Les centres Black & Decker et les centres de service autorisés sont répertoriés dans les pages jaunes sous la rubrique «Outils - électriques».

Cette garantie ne s'applique pas aux accessoires. Elle confère des droits légaux particuliers à l'acheteur, mais celui-ci pourrait aussi bénéficier d'autres droits variant d'un territoire à l'autre. Toute question doit être adressée au gérant du centre Black & Decker le plus près. Ce produit n'est pas destiné à un usage commercial.

Remplacement gratuit des étiquettes d'avertissement : Si vos étiquettes d'avertissement deviennent illisibles ou sont manquantes, composez le **1 (800) 544-6986** pour faire remplacer gratuitement vos étiquettes.

Imported by / Importé par
Black & Decker Canada Inc.
100 Central Ave.
Brockville (Ontario) K6V 5W6

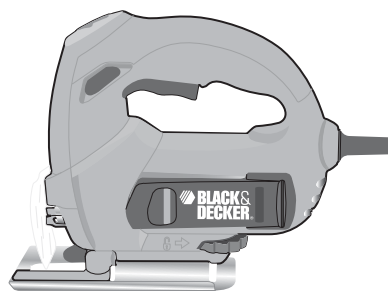
Voir la rubrique "Outils
électriques"
des Pages Jaunes
pour le service et les ventes.



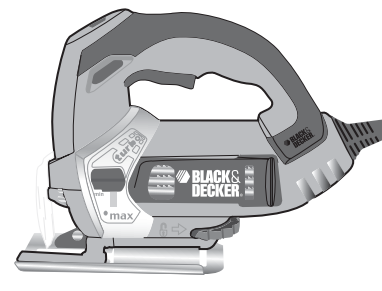
SIERRA CALADORA DE VELOCIDAD VARIABLE

MANUAL DE INSTRUCCIONES

Catalog Numbers JS500, JS510G, JS590TP, JS600, JS610G, JS4000



JS500, JS510G, JS590TP, JS4000



JS600, JS610G

¡GRACIAS POR ELEGIR BLACK & DECKER!

VAYA A WWW.BLACKANDDECKER.COM/NEWOWNER
PARA REGISTRAR SU NUEVO PRODUCTO.

**ANTES DE DEVOLVER ESTE PRODUCTO POR
CUALQUIER MOTIVO, LLAME AL
(55)5326-7100**

ANTES DE LLAMAR, TENGA EL NÚMERO DE CATÁLOGO Y EL CÓDIGO DE FECHA PREPARADOS. EN

LA MAYORÍA DE LOS CASOS, UN REPRESENTANTE DE BLACK & DECKER PUEDE RESOLVER EL

PROBLEMA POR TELÉFONO. SI DESEA REALIZAR UNA SUGERENCIA O COMENTARIO, LLÁMENOS.

SU OPINIÓN ES FUNDAMENTAL PARA BLACK & DECKER.

CONSERVE ESTE MANUAL PARA FUTURAS CONSULTAS.

Advertencias generales de seguridad para herramientas eléctricas

⚠ **ADVERTENCIA:** Lea todas las advertencias de seguridad e instrucciones. El incumplimiento de las advertencias e instrucciones puede provocar descargas eléctricas, incendios o lesiones graves.

Conserve todas las advertencias e instrucciones para futuras consultas.

El término "herramienta eléctrica" incluido en las advertencias hace referencia a las herramientas eléctricas operadas con corriente (con cable eléctrico) o a las herramientas eléctricas operadas con baterías (inalámbricas).

1) Seguridad en el área de trabajo

- Mantenga el área de trabajo limpia y bien iluminada.** Las áreas abarrotadas y oscuras propician accidentes.
- No opere herramientas eléctricas en atmósferas explosivas, como ambientes donde se encuentran líquidos, gases o polvo inflamables.** Las herramientas eléctricas originan chispas que pueden encender el polvo o los vapores.
- Mantenga a los niños y espectadores alejados de la herramienta eléctrica en funcionamiento.** Las distracciones pueden provocar la pérdida de control.

2) Seguridad eléctrica

- Los enchufes de la herramienta eléctrica deben adaptarse al tomacorriente.** Nunca modifique el enchufe de ninguna manera. No utilice ningún enchufe adaptador con herramientas eléctricas con conexión a tierra. Los enchufes no modificados y que se adaptan a los tomacorrientes reducirán el riesgo de descarga eléctrica.
- Evite el contacto corporal con superficies puestas a tierra, como por ejemplo tuberías, radiadores, rangos y refrigeradores.** Existe mayor riesgo de descarga eléctrica si su cuerpo está puesto a tierra.
- No exponga las herramientas eléctricas a la lluvia o a condiciones de humedad.** Si ingresa agua a una herramienta eléctrica, aumentará el riesgo de descarga eléctrica.
- No maltrate al cable.** Nunca utilice el cable para transportar, tirar o desenchufar la herramienta eléctrica. Mantenga el cable lejos del calor, aceite, bordes afilados o piezas móviles. Los cables dañados o enredados aumentan el riesgo de descarga eléctrica.
- Al operar una herramienta eléctrica en el exterior, utilice un cable prolongador adecuado para tal uso.** Utilice un cable adecuado para uso en exteriores a fin de reducir el riesgo de descarga eléctrica.
- Si el uso de una herramienta eléctrica en un lugar húmedo es imposible de evitar, utilice un suministro protegido con un dispositivo de corriente residual (RCD).** El uso de un RCD reduce el riesgo de descargas eléctricas.

3) Seguridad personal

- Permanezca alerta, controle lo que está haciendo y utilice el sentido común cuando emplee una herramienta eléctrica.** No utilice una herramienta eléctrica si está cansado o bajo el efecto de drogas, alcohol o medicamentos. Un momento de descuido mientras se opera una herramienta eléctrica puede provocar lesiones personales graves.
- Utilice equipos de protección personal.** Siempre utilice protección para los ojos. En las condiciones adecuadas, el uso de equipos de protección, como máscaras para polvo, calzado de seguridad antideslizante, cascos o protección auditiva, reducirá las lesiones personales.
- Evite el encendido por accidente.** Asegúrese de que el interruptor esté en la posición de apagado antes de conectarlo a la fuente de energía o paquete de baterías, o antes de levantar o transportar la herramienta. Transportar herramientas eléctricas con el dedo apoyado en el interruptor o enchufar herramientas eléctricas con el interruptor en la posición de encendido puede propiciar accidentes.
- Retire las clavijas de ajuste o llaves de tuercas antes de encender la herramienta eléctrica.** Una llave de tuercas o una clavija de ajuste que se deje conectada a una pieza giratoria de la herramienta eléctrica pueden provocar lesiones personales.
- No se estire.** Conserve el equilibrio adecuado y manténgase parado correctamente en todo momento. Esto permite un mejor control de la herramienta eléctrica en situaciones inesperadas.
- Use la vestimenta adecuada.** No use ropas holgadas ni joyas. Mantenga el cabello, la ropa y los guantes alejados de las piezas en movimiento. Las ropas holgadas, las joyas o el cabello largo pueden quedar atrapados en las piezas en movimiento.
- Si se suministran dispositivos para la conexión de accesorios con fines de recolección y extracción de polvo, asegúrese de que estén conectados y que se utilicen correctamente.** El uso de dispositivos de recolección de polvo puede reducir los peligros relacionados con el polvo.

4) Uso y mantenimiento de la herramienta eléctrica

- No fuerce la herramienta eléctrica.** Utilice la herramienta eléctrica correcta para el trabajo que realizará. La herramienta eléctrica correcta hará el trabajo mejor y más seguro a la velocidad para la que fue diseñada.
- No utilice la herramienta eléctrica si no puede encenderla o apagarla con el interruptor.** Toda herramienta eléctrica que no puede ser controlada mediante el interruptor es peligrosa y debe ser reparada.

- c) **Desconecte el enchufe de la fuente de energía y/o el paquete de baterías de la herramienta eléctrica antes de realizar ajustes, cambiar accesorios o almacenar herramientas eléctricas.** Estas medidas de seguridad preventivas reducen el riesgo de encender la herramienta eléctrica en forma accidental.
- d) **Guarde las herramientas eléctricas que no están en uso fuera del alcance de los niños y no permite que otras personas no familiarizadas con ella o con estas instrucciones operen la herramienta.** Las herramientas eléctricas son peligrosas en las manos de usuarios no entrenados.
- e) **Mantenimiento de las herramientas eléctricas. Controle que no haya piezas móviles mal alineadas o trabadas, piezas rotas y toda otra situación que pueda afectar el funcionamiento de las herramientas eléctricas. Si encuentra daños, haga reparar la herramienta eléctrica antes de utilizarla.** Se producen muchos accidentes a causa de las herramientas eléctricas que carecen de un mantenimiento adecuado.
- f) **Mantenga las herramientas de corte afiladas y limpias.** Las herramientas de corte con mantenimiento adecuado, con los bordes de corte afilados son menos propensas a trabarse y son más fáciles de controlar.
- g) **Utilice la herramienta eléctrica, los accesorios y las brocas de la herramienta, etc. de acuerdo con estas instrucciones y teniendo en cuenta las condiciones de trabajo y el trabajo que debe realizarse.** El uso de la herramienta eléctrica para operaciones diferentes de aquéllas para las que fue diseñada podría originar una situación peligrosa.
- 5) **Uso y mantenimiento de la herramienta con baterías**
- a) **Recargue solamente con el cargador especificado por el fabricante.** Un cargador adecuado para un tipo de paquete de baterías puede originar riesgo de incendio si se utiliza con otro paquete de baterías.
- b) **Utilice herramientas eléctricas sólo con paquetes de baterías específicamente diseñados.** El uso de cualquier otro paquete de baterías puede producir riesgo de incendio y lesiones.
- c) **Cuando no utilice el paquete de baterías, manténgalo lejos de otros objetos metálicos como sujetapapeles, monedas, llaves, clavos, tornillos u otros objetos metálicos pequeños que puedan realizar una conexión desde un terminal al otro.** Los cortocircuitos en los terminales de la batería pueden provocar quemaduras o incendio.
- d) **En condiciones abusivas, el líquido puede ser expulsado de la batería. Evite su contacto. Si entra en contacto accidentalmente, enjuague con agua. Si el líquido entra en contacto con sus ojos, busque atención médica.** El líquido expulsado de la batería puede provocar irritación o quemaduras.
- 6) **Mantenimiento**
- a) **Haga que una persona de reparaciones calificada realice el mantenimiento de su herramienta eléctrica y utilice piezas de repuesto idénticas solamente.** Esto garantizará la seguridad de la herramienta eléctrica.

NORMAS DE SEGURIDAD ESPECÍFICAS

- **Sujete la herramienta eléctrica por las superficies aislantes cuando realice una operación en que la herramienta pueda hacer contacto con cableados ocultos.** Al hacer contacto con un cable “vivo”, las partes metálicas de la herramienta se vuelven “vivas” y pueden originar un choque al operador.
 - **Utilice abrazaderas u otra forma práctica para asegurar y sostener la pieza de trabajo sobre una plataforma estable.** Sostener el trabajo con la mano o contra el cuerpo no brinda la estabilidad requerida y puede llevar a la pérdida del control.
 - **Mantenga las manos lejos de las zonas de corte.** Nunca se estire por debajo del material por ningún motivo. Sostenga la parte frontal de la sierra desde el área de sujeción contorneada. No inserte los dedos en la zona cercana a la hoja alternativa y a la abrazadera de la hoja. No establezca la sierra sujetando la zapata.
 - **Mantenga las hojas afiladas.** Las hojas sin filo pueden hacer que la sierra se desvíe o atasque al recibir presión.
 - **Al cortar tuberías o conductos,** asegúrese de que no contengan agua, cableado eléctrico, etc.
 - **Espera a que el motor se detenga por completo antes de retirar la hoja del indicador de corte (la ranura creada al cortar).** Una hoja en movimiento puede hacer impacto en la pieza de trabajo provocando la rotura de una hoja, daños en la pieza de trabajo o pérdida de control y posibles lesiones personales.
 - **Al aserrar, nunca sostenga el trabajo en la mano, en el regazo ni contra partes del cuerpo.** La sierra puede deslizarse y la hoja puede entrar en contacto con el cuerpo, lo que ocasionaría lesiones personales.
 - **Mantenga los mangos secos, limpios y sin restos de aceite ni grasa.** Éstos permitirán controlar la herramienta de mejor manera.
 - **Limpie su herramienta con frecuencia, especialmente después de un uso intensivo.** A menudo se acumulan sobre las superficies interiores polvo y suciedad que contienen partículas metálicas, que pueden provocar riesgo de descarga eléctrica.
 - **No haga funcionar esta herramienta durante periodos prolongados.** La vibración que produce el funcionamiento de esta herramienta puede provocar lesiones permanentes en dedos, manos y brazos. Use guantes para proveer amortiguación adicional, tome descansos frecuentes y limite el tiempo diario de uso.
- ⚠ **ADVERTENCIA: parte del polvo producido por las herramientas eléctricas al lijar, aserrar, esmerilar, taladrar y realizar otras actividades de la construcción, contiene productos químicos reconocidos por el Estado de California como causantes de cáncer, defectos de nacimiento u otros problemas reproductivos. Algunos de estos productos químicos son:**

- el plomo de las pinturas de base plomo,
- la sílice cristalina de ladrillos, el cemento y otros productos de mampostería, y
- el arsénico y el cromo de la madera con tratamiento químico.

- El riesgo derivado de estas exposiciones varía según la frecuencia con la que se realice este tipo de trabajo. Para reducir la exposición a estos productos químicos: trabaje en áreas bien ventiladas y trabaje con equipos de seguridad aprobados, como las máscaras para polvo especialmente diseñadas para filtrar las partículas microscópicas.
- **Evite el contacto prolongado con el polvo proveniente del lijado, aserrado, amolado y taladrado eléctrico y otras actividades de construcción. Use vestimenta protectora y lave todas las áreas expuestas con agua y jabón.** De entrar polvo en sus ojos, boca, o que este permanezca sobre su piel puede promover la absorción de químicos dañinos.
- ⚠ **ADVERTENCIA: El uso de esta herramienta puede generar y/o dispersar el polvo, el cual puede ocasionar lesión respiratoria u otro tipo de lesión grave y permanente.** Utilice siempre protección respiratoria NIOSH/OSHA apropiada para la exposición al polvo. Dirija las partículas lejos de su cara o su cuerpo.

- ⚠ **PRECAUCIÓN: Utilice protección para los oídos durante el uso. Bajo ciertas condiciones y duración de uso, el ruido de este producto puede contribuir a una pérdida del uso del oído.**

- ⚠ **ADVERTENCIA: USE SIEMPRE LENTES DE SEGURIDAD. Los anteojos de uso diario NO son lentes de seguridad. Utilice también máscaras faciales o para polvo si el corte produce polvillo. UTILICE SIEMPRE EQUIPOS DE SEGURIDAD CERTIFICADOS:**

- Protección para los ojos según la norma ANSI Z87.1 (CAN/CSA Z94.3)
- Protección auditiva según la norma ANSI S12.6 (S3.19)
- Protección respiratoria según las normas NIOSH/OSHA/MSHA

PAUTAS DE SEGURIDAD/DEFINICIONES

Es importante que lea y comprenda este manual. La información que contiene se relaciona con la protección de SU SEGURIDAD y la PREVENCIÓN DE PROBLEMAS. Los símbolos que siguen se utilizan para ayudarlo a reconocer esta información.

⚠ **PELIGRO:** indica una situación de peligro inminente que, si no se evita, provocará la muerte o lesiones graves.

⚠ **ADVERTENCIA:** indica una situación de peligro potencial que, si no se evita, provocará la muerte o lesiones graves.

⚠ **PRECAUCIÓN:** indica una situación de peligro potencial que, si no se evita, provocará lesiones leves o moderadas.

PRECAUCIÓN: utilizado sin el símbolo de alerta de seguridad indica una situación de peligro potencial que, si no se evita, puede provocar daños en la propiedad.

Símbolos

La etiqueta de su herramienta puede incluir los siguientes símbolos.

V	volts	A	amperes
Hz	hertz	W	watts
min	minutos	~	corriente alterna
====	corriente directa	n _o	velocidad sin carga
☐	construcción clase II	⊖	terminales de conexión a tierra
⚠	símbolo de alerta seguridad	.../min	revoluciones o reciprocaciones por minuto

Medidas de primeros auxilios para exposición a los componentes de gel (JS510G, JS610G)

Si el gel que se encuentra dentro de la empuñadura queda expuesta y entra en contacto con su piel, lávese con agua y jabón. Si entra en contacto con sus ojos, enjuáguelos con agua fresca. Si ingiere el gel, busque atención médica. Si llama al **(55)5326-7100**, podrá obtener una copia de la Ficha de Datos de Seguridad (MSDS) para este material.

DESCRIPCIÓN DE LAS FUNCIONES - JS500, JS510G, JS590TP, JS4000

1. Interruptor de velocidad variable
2. Botón de funcionamiento continuo
3. Palanca de bloqueo de la hoja de sierra
4. Rodillo de apoyo de la hoja
5. Hoja de sierra
6. Platina
7. Perilla de bloqueo de la platina
8. Compartimento de almacenaje de las hojas de sierra
9. Soplador de polvo
10. Adaptador para la extracción de polvo (disponible en modelos seleccionados - consulte el empaque para obtener más detalles)
11. Guía para cortes (disponible en modelos seleccionados – consulte el empaque para obtener más detalles)

DESCRIPCIÓN DE LAS FUNCIONES - JS600, JS610G

1. Interruptor de velocidad variable
2. Botón de funcionamiento continuo
3. Perilla de control de velocidad variable
4. Selector de acción orbital "Turbo"
5. Palanca de bloqueo de la hoja de sierra
6. Rodillo de apoyo de la hoja de sierra
7. Hoja de sierra
8. Platina
9. Perilla de bloqueo de la platina
10. Compartimento de almacenaje de las hojas de sierra
11. Soplador de polvo
12. Adaptador para la extracción de polvo (disponible en modelos seleccionados - consulte el empaque para obtener más detalles)
13. Guía para cortes (disponible en modelos seleccionados – consulte el empaque para obtener más detalles)

USO DE CABLES DE EXTENSIÓN

Asegúrese que el cable de extensión esté en buenas condiciones antes de usar. Al utilizar un cable de extensión, asegúrese de que sea del tamaño correspondiente a la herramienta, o sea, lo suficientemente “pesado” como para transportar la corriente que la herramienta va a extraer. Un cable de tamaño insuficiente causará una caída en la línea de voltaje resultando en pérdida de energía y recalentamiento. Vea la tabla siguiente para el tamaño apropiado de cable.

Volts	Calibre mínimo para cables de extensión				
	Longitud total del cable en pies				
120V	0-25	26-50	51-100	101-150	
	(0-7,6m)	(7,6-15,2m)	(15,2-30,4m)	(30,4-45,7m)	
240V	0-50	51-100	101-200	201-300	
	(0-15,2m)	(15,2-30,4m)	(30,4-60,9m)	(60,9-91,4m)	
Amperaje	Más de	No más de	American Wire Gage		
0	- 6	18	16	16	14
6	- 10	18	16	14	12
10	- 12	16	16	14	12
12	- 16	14	12	No se recomienda	

MOTOR

Verifique que su suministro de corriente concuerde con el marcaje de la placa de datos. 120 Voltios de corriente alterna (AC) solo indica que su herramienta operará con corriente casera estándar de 60 Hz. No opere herramientas de corriente alterna (AC) con corriente directa (DC). Una potencia de régimen de 120 voltios AC/DC significa que su herramienta operará con corriente estándar de 60 Hz AC o DC. Esta información está impresa en la placa de datos. Un voltaje menor ocasionará pérdida de corriente y puede resultar en recalentamiento. Todas las herramientas Black & Decker se prueban en fábrica; si esta herramienta no funciona, verifique el suministro de corriente.

GUARDE ESTAS INSTRUCCIONES

MONTAJE - JS500, JS510G, JS590TP, JS4000 ÚNICAMENTE

⚠ **ADVERTENCIA:** Antes de intentar algunas de las siguientes operaciones, asegúrese que la herramienta está apagada y desconectada y que la hoja de sierra ya no se mueve. Las hojas ya usadas pueden estar calientes.

Colocación de la hoja de sierra (fig. A)

- Sujete la hoja (5) según se ilustra, con los dientes hacia adelante.
- Empuje la palanca (3) hacia abajo.
- Inserte la espiga de la hoja en el portahoja (10) lo más adentro que pueda.
- Suelte la palanca.
- Ajuste el rodillo de apoyo de la hoja según se describe a continuación.

Ajuste del rodillo de apoyo de la hoja (fig. B)

- Después de poner la hoja, es necesario ajustar el rodillo de apoyo de la hoja (4).
- Gire la perilla de bloqueo (7) en dirección **A**.
 - Deslice el rodillo de soporte de la hoja contra la parte posterior de la hoja. La hoja debe encajar en la ranura central del rodillo.
 - Gire la perilla de bloqueo (7) en dirección **B** para encajar la platina en su lugar.

Para conectar la aspiradora a la herramienta (fig. C & D)

- Alinear el adaptador de extracción de polvo (9) con la platina de la sierra según se ilustra.
- Insertar las nervaduras (12) en las ranuras (13).
- Girar el adaptador hasta que encaja en posición. Asegurar que las nervaduras (14) se asientan correctamente.
- Conectar la manguera de la aspiradora (11)(no suministrada) al adaptador. No es posible extraer el polvo cuando se realizan cortes de biselado.

USO

⚠ **ADVERTENCIA:** Nunca use la herramienta cuando la platina está aflojada o quitada.

Ajuste de la platina para cortes de biselado (fig. E)

- Se puede fijar la platina para un ángulo de biselado hacia derecha o izquierda hasta 45°.
- Gire la perilla de bloqueo (7) en dirección **A** para liberar la platina (6).
 - Tire de la platina (6) hacia atrás y fíjela al ángulo requerido. Usted puede usar la escala o un transportador para verificar el ángulo.
 - Gire la perilla de bloqueo (7) en dirección **B** para encajar la platina en su lugar. Para fijar de nuevo la platina para cortes rectos:

- Gire la perilla de bloqueo (7) en dirección **A** para liberar la platina (6).
- Tire de la platina (6) hacia atrás y fíjela al ángulo de aproximadamente 0.
- Empuje la platina hacia adelante.
- Gire la perilla de bloqueo (7) en dirección **B** para encajar la platina en su lugar. Asegúrese de la platina está apoyada por las nervaduras de guía.

Para prender y apagar la herramienta

- Para prender la herramienta, oprima el interruptor de velocidad variable (1). La velocidad de la herramienta depende de cuán profundo usted oprime el interruptor.
- Para una operación continua, oprima el botón de bloqueo (2) y suelte el interruptor de velocidad variable. Esta opción sólo se puede utilizar a velocidad máxima.
- Para apagar la herramienta, suelte el interruptor de velocidad variable. Para apagar la herramienta mientras está en operación continua, oprima el interruptor de velocidad variable una vez más y suéltelo.

Cómo utilizar el dispositivo Sightline® (fig.F)

- Use un lápiz para marcar la línea de corte.
- Posicione la sierra caladora encima de la línea (15).

Al poder ver la línea de corte directamente desde encima de la sierra, ésta puede seguirse fácilmente. Si esta vista queda restringida por alguna razón, se puede utilizar la muesca (16) como guía alternativa de corte.

MONTAJE - JS600, JS610G ÚNICAMENTE

⚠ ADVERTENCIA: Antes de intentar algunas de las siguientes operaciones, asegúrese que la herramienta está apagada y desconectada y que la hoja de sierra ya no se mueve.

Colocación de la hoja de sierra (fig.G)

- Sujete la hoja (7) según se ilustra, con los dientes hacia adelante.
- Empuje la palanca (5) hacia abajo.
- Inserte la espiga de la hoja en el portahoja (12) lo más adentro que pueda.
- Suelte la palanca.

Para conectar la aspiradora a la herramienta (fig. H & I)

- Alinear el adaptador de extracción de polvo (11) con la platina de la sierra según se ilustra.
- Insertar las nervaduras (14) en las ranuras (15).
- Girar el adaptador hasta que encaja en posición. Asegurar que las nervaduras (16) se asientan correctamente.
- Conectar la manguera de la aspiradora (13) (no suministrada) al adaptador.

No es posible extraer el polvo cuando realiza cortes de biselado.

USO

⚠ ADVERTENCIA: Nunca use la herramienta cuando la platina está aflojada o quitada.

Ajuste de la platina para cortes de biselado (fig. J)

Se puede fijar la platina para un ángulo de biselado hacia derecha o izquierda hasta 45°.

- Gire la perilla de bloqueo (9) en dirección **A** para liberar la platina (8).
- Tire de la platina (8) hacia atrás y fíjela al ángulo requerido. Usted puede usar la escala o un transportador para verificar el ángulo.
- Gire la perilla de bloqueo (9) en dirección **B** para encajar la platina en su lugar.

Para fijar de nuevo la platina para cortes rectos:

- Gire la perilla de bloqueo (9) en dirección **A** para liberar la platina (8).
- Tire de la platina (8) hacia atrás y fíjela al ángulo de aproximadamente 0.
- Empuje la platina hacia adelante.
- Gire la perilla de bloqueo (9) en dirección **B** para encajar la platina en su lugar. Asegúrese de la platina está apoyada por las nervaduras de guía.

Control de velocidad variable

- Fije la perilla de velocidad variable (3) al rango de velocidad requerido. Use velocidad alta para madera, mediana para aluminio y PVC y baja para los demás metales que no sean aluminio.

Turboselector de acción orbital

- Para cortes rectos en madera, rápidos y eficientes, fije el turboselector de acción orbital (4) a "max".
- Para obtener cortes de precisión rectos o curvos y un acabado liso, fije el turboselector (4) a "min".

- También se puede fijar el turboselector de acción orbital (4) a una posición intermedia entre "max" y "min", para un corte y acabado de velocidad moderada.

Nota: No se recomienda la acción orbital para contornear.

Para prender y apagar la herramienta

- Para prender la herramienta, oprima el interruptor prende/apaga (1).
- Para una operación continua, oprima el botón para funcionamiento continuo (2) y suelte el interruptor prende/apaga.
- Para apagar la herramienta, suelte el interruptor prende/apaga. Para apagar la herramienta mientras está en operación continua, oprima el interruptor prende/apaga una vez más y suéltelo.

Cómo utilizar el dispositivo Sightline® (fig.K)

- Use un lápiz para marcar la línea de corte.
- Posicione la sierra caladora encima de la línea (17).

Al poder ver la línea de corte directamente desde encima de la sierra, ésta puede seguirse fácilmente. Si esta vista queda restringida por alguna razón, se puede utilizar la muesca (18) como guía alternativa de corte.

SUGERENCIA PARA UN USO ÓPTIMO

General

- Use velocidad alta para madera, mediana para aluminio y PVC y baja para los demás metales que no sean aluminio.

Para aserrar laminados

Como la hoja de sierra hace el corte en su trayectoria hacia arriba, puede que la superficie más cercana a la platina se astille.

- Use una hoja de dientes afinados.
- Haga el aserrado desde la superficie posterior de la pieza de corte.
- A fin de minimizar el astillado, afiance un resto de madera o madera prensada a ambos lados de la pieza de corte y proceda a aserrar a través de esta especie de "sandwich".

Aserrado en metal

- Para empezar, recuerde que aserrar metales toma mucho más tiempo que aserrar madera.
- Use una hoja apropiada para aserrar metales.
- En cortes de láminas delgadas, afiance un resto de madera a la parte posterior de la pieza y corte a través de esta especie de "sandwich".
- Esparza una película fina de aceite a lo largo de la línea de corte propuesta.

⚠ PRECAUCIÓN: No utilice el adaptador de aspiradora cuando corte en metal. Las limaduras de metal pueden estar calientes y pueden ocasionar un incendio.

Guía para corte longitudinal

Sin utilizar una línea de lápiz, el corte longitudinal y el corte de círculos se realizan fácilmente con una guía para corte longitudinal y una guía de círculo (disponibles como equipos estándar en algunos modelos o por un costo adicional).

Colocación de la guía para corte longitudinal (fig. L y M)

- Introduzca la guía para corte en la ranura en el lado derecho de la zapata de la sierra, como se muestra con la barra transversal colocada hacia abajo.
- Coloque el tornillo (19) en el orificio en la parte inferior de la zapata.
- Alinee la barra de abrazadera (20) sobre el tornillo con el reborde hacia abajo y en dirección a la parte trasera de la sierra.
- Con un destornillador phillips, introduzca el tornillo en el orificio roscado en la abrazadera de barra.
- Ajuste al ancho del corte y ajuste el tornillo.

Corte de círculos

- Introduzca la guía para corte en la ranura en el lado derecho de la zapata de la sierra, con la barra transversal colocada hacia arriba.
- Ajuste la guía para corte de modo que la distancia desde la hoja hasta el orificio en la barra transversal sea del radio deseado, y ajuste el tornillo.
- Coloque la sierra de modo que el centro del orificio en la barra transversal quede sobre el centro del círculo que se cortará (haga un corte interno, perforo un orificio hasta la hoja o corte hacia adentro desde el borde del material para colocar la hoja en posición).
- Cuando la sierra esté correctamente montada, introduzca un clavo pequeño en el orificio en la barra transversal, exactamente en el centro del círculo que se cortará. Con la guía para corte como brazo giratorio, comience a cortar el círculo.

DETECCIÓN DE PROBLEMAS

Problema	Causa posible	Solución posible
• La unidad no enciende.	• Cable desenchufado. • Fusible quemado.	• Enchufe el cargador en un tomacorriente que funcione. • Reemplace el fusible quemado. (Si repetidamente el producto hace que el fusible del circuito se queme, deje de utilizarlo inmediatamente y haga que le realicen mantenimiento en un centro de mantenimiento Black & Decker o en un centro de servicio autorizado.) • Reinicie el interruptor automático. (Si repetidamente el producto hace que el fusible del circuito se queme, deje de utilizarlo inmediatamente y haga que le realicen mantenimiento en un centro de mantenimiento Black & Decker o en un centro de servicio autorizado.)
	• El interruptor automático está activado.	
	• Interruptor o cable dañado.	• Haga reparar el cable o el interruptor en un centro de mantenimiento Black & Decker o en un centro de mantenimiento autorizado.

Para conocer la ubicación del centro de mantenimiento más cercano a fin de recibir ayuda con su producto, visite nuestro sitio Web www.blackanddecker.com o llame a la línea de ayuda BLACK & DECKER al **55-5326-7100**

MANTENIMIENTO

Utilice solamente jabón suave y agua para limpiar la herramienta. Nunca permita que ningún líquido se introduzca dentro de la misma; nunca sumerja ninguna parte de la herramienta dentro de algún líquido.

IMPORTANTE: Para garantizar la SEGURIDAD y la FIABILIDAD del producto, toda reparación, mantenimiento y ajuste, deberán ser realizados en los centros autorizados de servicio u otras organizaciones de servicio calificadas, utilizando siempre para ello accesorios originales.

ACCESORIOS

Los accesorios que se recomiendan usar con su herramienta están disponibles donde su distribuidor o centro de servicio local. De necesitar asistencia para obtener un accesorio, favor llamar a: **(55) 5326-7100**.

⚠ ADVERTENCIA: Puede ser peligroso usar cualquier accesorio no recomendado.

INFORMATION ACERCA DE NUESTROS CENTROS DE SERVICIO

Black & Decker ofrece una red completa de centros de servicio y centros autorizados en toda Norteamérica. Todos los centros de servicio Black & Decker disponen de personal entrenado para dar un servicio eficiente y confiable a las herramientas eléctricas de sus clientes. De necesitar orientación técnica, reparación o repuestos originales de fábrica, diríjase al centro Black & Decker local. Para hallar la ubicación del centro de servicio más cercano, busque en las páginas amarillas de la guía telefónica bajo "Herramientas—Eléctricas" o llame a: **(55) 5326-7100**.

GARANTÍA COMPLETA DE DOS AÑOS PARA USO DOMÉSTICO

Black & Decker (U.S.) Inc. garantiza este producto por dos años contra todo defecto de material y fabricación. El producto defectuoso será reemplazado o reparado sin costo en una de las dos formas siguientes.

La primera opción, que resultará en intercambio solamente, será devolviendo el producto al minorista donde fue comprado (siempre que la tienda sea un minorista participante). Las devoluciones deberán hacerse dentro del período de intercambio que el minorista tiene por política (generalmente de 30 a 90 días después de la venta). La prueba de compra podrá ser requerida. Favor informarse con el minorista sobre la política específica de devolución en cuanto a devoluciones hechas en fecha posterior a la fijada para intercambios.

La segunda opción es llevar o enviar el producto (pre-pagado) a un centro de servicio Black & Decker o un centro autorizado para reparaciones o reemplazo, a nuestra discreción. La prueba de compra podrá ser requerida. Los centros de servicio Black & Decker o centros autorizados se anuncian bajo "Herramientas - Eléctricas" en las páginas amarillas de la guía telefónica.

Esta garantía no aplica a los accesorios. Esta garantía le otorga a usted derechos legales específicos y otros derechos que pueden variar de estado en estado. Si tiene alguna pregunta, comuníquese con el gerente de su centro de servicio Black & Decker más cercano.

Este producto no está destinado al uso comercial.

Para reparación y servicio de sus herramientas eléctricas, favor de dirigirse al Centro de Servicio más cercano:

CULIACAN, SIN Av. Nicolás Bravo #1063 Sur (667) 7 12 42 11 Col. Industrial Bravo	MONTERREY, N.L. Av. Francisco I. Madero No.831 (81) 8375 2313 Col. Centro	TORREON, COAH Blvd. Independencia, 96 Pte. (871) 716 5265 Col. Centro
GUADALAJARA, JAL Av. La Paz #1779 (33) 3825 6978 Col. Americana Sector Juarez	PUEBLA, PUE 17 Norte #205 (222) 246 3714 Col. Centro	VERACRUZ, VER Prolongación Díaz Mirón #4280 (229)921 7016 Col. Remes
MEXICO, D.F. Eje Central Lázaro Cardenas No. 18 (55) 5588 9377 Local D, Col. Obrera	QUERETARO, QRO Av. Madero 139 Pte. (442) 214 1660 Col. Centro	VILLAHERMOSA, TAB Constitución 516-A (993) 312 5111 Col. Centro
MERIDA, YUC Calle 63 #459-A (999) 928 5038 Col. Centro	SAN LUIS POTOSI, SLP Av. Universidad 1525 (444) 814 2383 Col. San Luis	

PARA OTRAS LOCALIDADES LLAME AL: (55) 5326 7100

Vea "Herramientas eléctricas (Tools-Electric)" – Páginas amarillas – para Servicio y ventas



BLACK & DECKER S.A. DE C.V.
BOSQUES DE CIDROS ACCESO RADI-
ATAS NO. 42
COL. BOSQUES DE LAS LOMAS.
05120 MÉXICO, D.F.
TEL. 55-5326-7100

ESPECIFICACIONES

JS500, JS510G, JS590TP, JS4000

Tensión de alimentación: 120 V~ Potencia nominal: 502 W
Frecuencia de operacion: 60 Hz Consumo de corriente: 4,5A

JS600, JS610G

Tensión de alimentación: 120 V~ Potencia nominal: 558 W
Frecuencia de operacion: 60 Hz Consumo de corriente: 5 A